
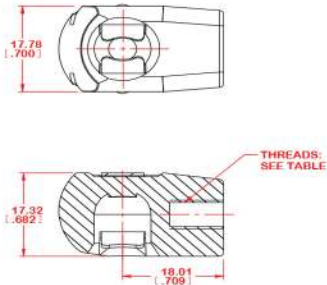

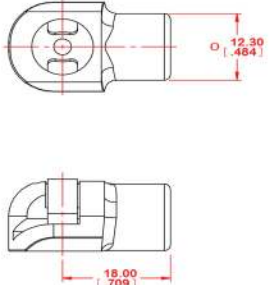

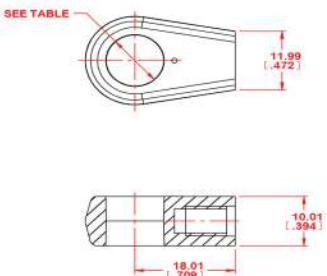

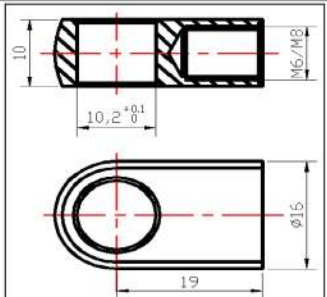

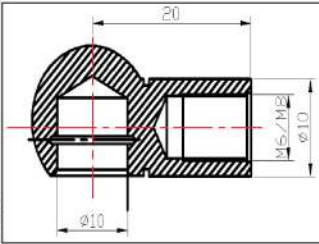

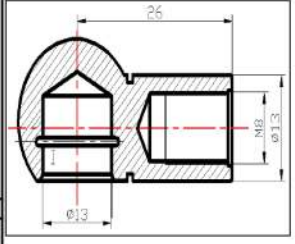

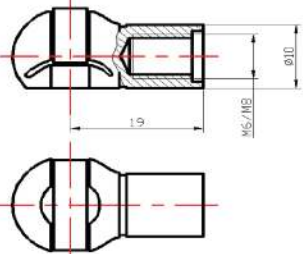

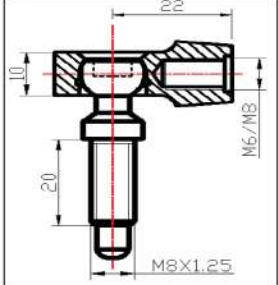


STANDARD CONNECTORS

PC6 or PC8			PC6																						
	PLASTIC 10mm BALL SOCKET CONNECTOR <table border="1"> <thead> <tr> <th>ATLAS IND P/N</th> <th>THREADS</th> <th>BALL SOCKET</th> </tr> </thead> <tbody> <tr> <td>PS6</td> <td>M6</td> <td>10mm PLASTIC</td> </tr> <tr> <td>PS8</td> <td>M8</td> <td>10mm PLASTIC</td> </tr> </tbody> </table>			ATLAS IND P/N	THREADS	BALL SOCKET	PS6	M6	10mm PLASTIC	PS8	M8	10mm PLASTIC	PLASTIC 10mm BALL SOCKET CONNECTOR <table border="1"> <thead> <tr> <th>ATLAS IND P/N</th> <th>THREADS</th> <th>BALL SOCKET</th> </tr> </thead> <tbody> <tr> <td>PC6</td> <td>M6</td> <td>10mm PLASTIC</td> </tr> </tbody> </table>		ATLAS IND P/N	THREADS	BALL SOCKET	PC6	M6	10mm PLASTIC					
	ATLAS IND P/N	THREADS		BALL SOCKET																					
PS6	M6	10mm PLASTIC																							
PS8	M8	10mm PLASTIC																							
ATLAS IND P/N	THREADS	BALL SOCKET																							
PC6	M6	10mm PLASTIC																							
ZB			SB6 or SB8																						
	ZINC BLADE "THRU-HOLE" CONNECTOR <table border="1"> <thead> <tr> <th>ATLAS IND P/N</th> <th>THREADS</th> <th>HOLE SIZE</th> </tr> </thead> <tbody> <tr> <td>ZB</td> <td>M6</td> <td>VARIOUS</td> </tr> </tbody> </table>			ATLAS IND P/N	THREADS	HOLE SIZE	ZB	M6	VARIOUS	STEEL BLADE "THRU-HOLE" CONNECTOR <table border="1"> <thead> <tr> <th>ATLAS IND P/N</th> <th>THREADS</th> <th>HOLE SIZE</th> </tr> </thead> <tbody> <tr> <td>SB6 or SB8</td> <td>M6</td> <td>VARIOUS</td> </tr> <tr> <td>SB8</td> <td>M8</td> <td>VARIOUS</td> </tr> </tbody> </table>		ATLAS IND P/N	THREADS	HOLE SIZE	SB6 or SB8	M6	VARIOUS	SB8	M8	VARIOUS					
	ATLAS IND P/N	THREADS		HOLE SIZE																					
ZB	M6	VARIOUS																							
ATLAS IND P/N	THREADS	HOLE SIZE																							
SB6 or SB8	M6	VARIOUS																							
SB8	M8	VARIOUS																							
ST6 or ST8			STL8-13																						
	STEEL 10mm BALL SOCKET CONNECTOR <table border="1"> <thead> <tr> <th>ATLAS IND P/N</th> <th>THREADS</th> <th>BALL SOCKET</th> <th>SECURITY RING PIN</th> </tr> </thead> <tbody> <tr> <td>ST6</td> <td>M6</td> <td>10mm STEEL</td> <td>YES</td> </tr> <tr> <td>ST8</td> <td>M8</td> <td>10mm STEEL</td> <td>YES</td> </tr> </tbody> </table>			ATLAS IND P/N	THREADS	BALL SOCKET	SECURITY RING PIN	ST6	M6	10mm STEEL	YES	ST8	M8	10mm STEEL	YES	STEEL 13mm BALL SOCKET CONNECTOR <table border="1"> <thead> <tr> <th>ATLAS IND P/N</th> <th>THREADS</th> <th>BALL SOCKET</th> <th>SECURITY RING PIN</th> </tr> </thead> <tbody> <tr> <td>ST8-13</td> <td>M8</td> <td>13mm STEEL</td> <td>YES</td> </tr> </tbody> </table>		ATLAS IND P/N	THREADS	BALL SOCKET	SECURITY RING PIN	ST8-13	M8	13mm STEEL	YES
	ATLAS IND P/N	THREADS		BALL SOCKET	SECURITY RING PIN																				
ST6	M6	10mm STEEL	YES																						
ST8	M8	10mm STEEL	YES																						
ATLAS IND P/N	THREADS	BALL SOCKET	SECURITY RING PIN																						
ST8-13	M8	13mm STEEL	YES																						
SC6 or SC8			SCB6 or SCB8																						
	STEEL 10mm BALL SOCKET CONNECTOR <table border="1"> <thead> <tr> <th>ATLAS IND P/N</th> <th>THREADS</th> <th>BALL SOCKET</th> <th>RETAINING CLIP</th> </tr> </thead> <tbody> <tr> <td>SC6</td> <td>M6</td> <td>10mm PLASTIC</td> <td>STEEL</td> </tr> <tr> <td>SC8</td> <td>M8</td> <td>10mm PLASTIC</td> <td>STEEL</td> </tr> </tbody> </table>			ATLAS IND P/N	THREADS	BALL SOCKET	RETAINING CLIP	SC6	M6	10mm PLASTIC	STEEL	SC8	M8	10mm PLASTIC	STEEL	STEEL CAPTIVE BALL CONNECTOR <table border="1"> <thead> <tr> <th>ATLAS IND P/N</th> <th>THREADS</th> <th>STUD</th> </tr> </thead> <tbody> <tr> <td>SCB6 or SCB8</td> <td>M6, M8</td> <td>M8</td> </tr> </tbody> </table>		ATLAS IND P/N	THREADS	STUD	SCB6 or SCB8	M6, M8	M8		
	ATLAS IND P/N	THREADS		BALL SOCKET	RETAINING CLIP																				
SC6	M6	10mm PLASTIC	STEEL																						
SC8	M8	10mm PLASTIC	STEEL																						
ATLAS IND P/N	THREADS	STUD																							
SCB6 or SCB8	M6, M8	M8																							

